

# STLZ1570/..F-7.62-V-GREEN



A Phoenix Mecano Brand



## Technical Data

Wire sizes		Insulating Material	
Solid min	-	Material	PBT
Solid max	-	Flammability Class	UL 94 V-0
Stranded (flexible) min	-	<b>Temperatures</b>	
Stranded (flexible) max	-	Operating Temperature (without mech. load)	-40 °C - 105 °C
Stranded with Ferrule min	-	Store Temperature	-40 °C - 105 °C
Stranded with Ferrule max	-	<b>Wave Soldering Process</b>	
<b>Dimensions</b>		Soldering Temperature, recommended	260 °C
PCB Hole Diameter	1.2 mm	Peak Soldering Time, recommended	3-4 s
<b>Materials</b>		<b>Reflow Process</b>	
Thread Insert, Flange	Brass	Soldering Temperature, recommended	-
Contact Pin	Copper Alloy	Peak Soldering Time, recommended	-

## Colours

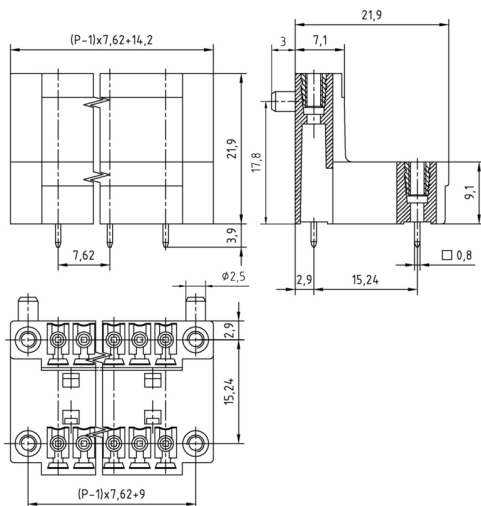
- GREEN, RAL 6018
- LIGHT GREEN, similar RAL 6018

Colours according to RAL, there may be variations on colour due to production conditions. Special colours on request.

## Counterparts (Spacing 7.62 mm)

Terminal Block		
AKZ1550	AKZ1700	AKZ1710

In combination of connectors with different admission data, the lower value is valid.



## Order Data (Spacing 7.62 mm)

Poles	Width (mm)	Article Designation	Article Number	PU
2	21.82	STLZ1570/2F-7.62-V-GREEN	51570026161 D	50
3	29.44	STLZ1570/3F-7.62-V-GREEN	51570036161 D	50
4	37.06	STLZ1570/4F-7.62-V-GREEN	51570046161 D	50
5	44.68	STLZ1570/5F-7.62-V-GREEN	51570056161 D	50
6	52.30	STLZ1570/6F-7.62-V-GREEN	51570066161 D	50
7	59.92	STLZ1570/7F-7.62-V-GREEN	51570076161 D	50
8	67.54	STLZ1570/8F-7.62-V-GREEN	51570086161 D	50
9	75.16	STLZ1570/9F-7.62-V-GREEN	51570096161 D	50
10	82.78	STLZ1570/10F-7.62-V-GREEN	51570106161 D	50

## Accessoires

Figure	Designation	Article Number
	Coding Star CS1-3.5/3.81-RED	Order Data: 50000000023

## Ratings

UseGroup	C <sup>RU</sup> US			VDE
	B	C	D	
Rated Voltage	300 V	150 V	300 V	400 V
Rated Current	8 A	8 A	-	9 A
Overvoltage Category				III
Test Voltage	1.60 kV	1.30 kV	1.60 kV	6.0 kV
Pollution Degree				3