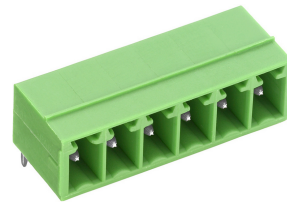


STLZ1550/..G-7.62-H-GREEN



A Phoenix Mecano Brand

Technical Data

| Wire sizes | | Insulating Material | |
|---------------------------|--------------|--|-----------------|
| Solid min | - | Material | PA 6.6 |
| Solid max | - | Flammability Class | UL 94 V-0 |
| Stranded (flexible) min | - | Temperatures | |
| Stranded (flexible) max | - | Operating Temperature (without mech. load) | -40 °C - 105 °C |
| Stranded with Ferrule min | - | Store Temperature | -40 °C - 105 °C |
| Stranded with Ferrule max | - | Wave Soldering Process | |
| Dimensions | | Soldering Temperature, recommended | 260 °C |
| PCB Hole Diameter | 1.2 mm | Peak Soldering Time, recommended | 3-4 s |
| Materials | | Reflow Process | |
| Contact Pin | Copper Alloy | Soldering Temperature, recommended | - |
| | | Peak Soldering Time, recommended | - |

Colours

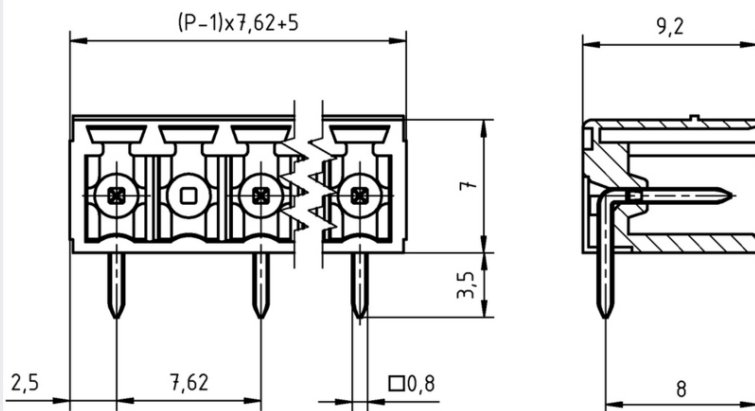
| | |
|--|-------------------------------|
| | GREEN, RAL 6018 |
| | BASALT GREY, RAL 7012 |
| | LIGHT GREEN, similar RAL 6018 |

Colours according to RAL, there may be variations on colour due to production conditions. Special colours on request.

Counterparts (Spacing 7.62 mm)

| Terminal Block | | |
|----------------|---------|---------|
| AKZ1550 | AKZ1700 | AKZ1710 |

In combination of connectors with different admission data, the lower value is valid.



Order Data (Spacing 7.62 mm)

| Poles | Width (mm) | Article Designation | Article Number | PU |
|-------|------------|---------------------------|----------------|-----|
| 2 | 12.82 | STLZ1550/2G-7.62-H-GREEN | 51550025065 F | 200 |
| 3 | 20.44 | STLZ1550/3G-7.62-H-GREEN | 51550035065 F | 200 |
| 4 | 28.06 | STLZ1550/4G-7.62-H-GREEN | 51550045065 E | 100 |
| 5 | 35.68 | STLZ1550/5G-7.62-H-GREEN | 51550055065 D | 50 |
| 6 | 43.30 | STLZ1550/6G-7.62-H-GREEN | 51550065065 D | 50 |
| 7 | 50.92 | STLZ1550/7G-7.62-H-GREEN | 51550075065 D | 50 |
| 8 | 58.54 | STLZ1550/8G-7.62-H-GREEN | 51550085065 D | 50 |
| 9 | 66.16 | STLZ1550/9G-7.62-H-GREEN | 51550095065 D | 50 |
| 10 | 73.78 | STLZ1550/10G-7.62-H-GREEN | 51550105065 D | 50 |

Accessoires

| Figure | Designation | Article Number |
|--------|------------------------------|-------------------------|
| | Coding Star CS1-3.5/3.81-RED | Order Data: 50000000023 |

Ratings

| | C US | | | |
|----------------------|---------|---|---------|--------|
| UseGroup | B | C | D | |
| Rated Voltage | 300 V | - | 300 V | 500 V |
| Rated Current | 8 A | - | - | 9 A |
| Overvoltage Category | | | | III |
| Test Voltage | 1.60 kV | - | 1.60 kV | 6.0 kV |
| Pollution Degree | | | | 3 |