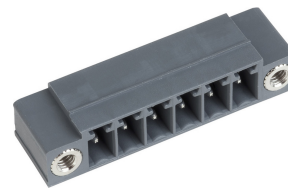


STLZ1550/..F-3.81-H-BASALTGREY



A Phoenix Mecano Brand

Technical Data

Wire sizes		Insulating Material	
Solid min	-	Material	PA 6.6
Solid max	-	Flammability Class	UL 94 V-0
Stranded (flexible) min	-	Temperatures	
Stranded (flexible) max	-	Operating Temperature (without mech. load)	-40 °C - 105 °C
Stranded with Ferrule min	-	Store Temperature	-40 °C - 105 °C
Stranded with Ferrule max	-	Wave Soldering Process	
Dimensions		Soldering Temperature, recommended	260 °C
PCB Hole Diameter	1.2 mm	Peak Soldering Time, recommended	3-4 s
Materials		Reflow Process	
Thread Insert, Flange	Brass	Soldering Temperature, recommended	-
Contact Pin	Copper Alloy	Peak Soldering Time, recommended	-

Colours

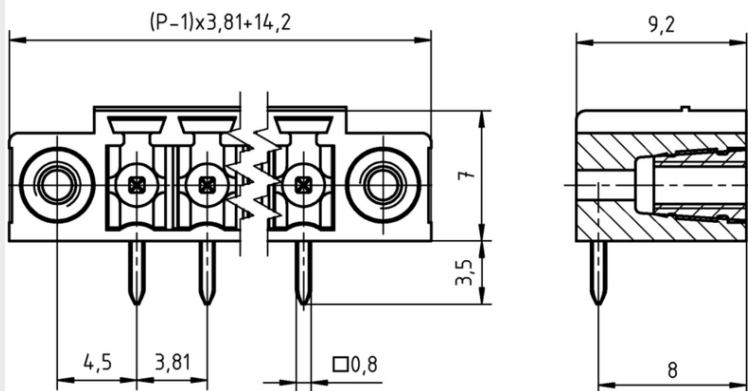
	BASALT GREY, RAL 7012
	GREEN, RAL 6018
	LIGHT GREEN, similar RAL 6018

Colours according to RAL, there may be variations on colour due to production conditions. Special colours on request.

Counterparts (Spacing 3.81 mm)

Terminal Block
AKZ4551

In combination of connectors with different admission data, the lower value is valid.



Order Data (Spacing 3.81 mm)

Poles	Width (mm)	Article Designation	Article Number	PU
2	18.01	STLZ1550/2F-3.81-H-BASALTGREY	51550026235 E	100
3	21.82	STLZ1550/3F-3.81-H-BASALTGREY	51550036235 E	100
4	25.63	STLZ1550/4F-3.81-H-BASALTGREY	51550046235 E	100
5	29.44	STLZ1550/5F-3.81-H-BASALTGREY	51550056235 D	50
6	33.25	STLZ1550/6F-3.81-H-BASALTGREY	51550066235 D	50
7	37.06	STLZ1550/7F-3.81-H-BASALTGREY	51550076235 D	50
8	40.87	STLZ1550/8F-3.81-H-BASALTGREY	51550086235 D	50
9	44.68	STLZ1550/9F-3.81-H-BASALTGREY	51550096235 D	50
10	48.49	STLZ1550/10F-3.81-H-BASALTGREY	51550106235 D	50
11	52.30	STLZ1550/11F-3.81-H-BASALTGREY	51550116235 D	50
12	56.11	STLZ1550/12F-3.81-H-BASALTGREY	51550126235 D	50
13	59.92	STLZ1550/13F-3.81-H-BASALTGREY	51550136235 D	50
14	63.73	STLZ1550/14F-3.81-H-BASALTGREY	51550146235 D	50
15	67.54	STLZ1550/15F-3.81-H-BASALTGREY	51550156235 D	50
16	71.35	STLZ1550/16F-3.81-H-BASALTGREY	51550166235 D	50
17	75.16	STLZ1550/17F-3.81-H-BASALTGREY	51550176235 D	50
18	78.97	STLZ1550/18F-3.81-H-BASALTGREY	51550186235 D	50
19	82.78	STLZ1550/19F-3.81-H-BASALTGREY	51550196235 D	50
20	86.59	STLZ1550/20F-3.81-H-BASALTGREY	51550206235 D	50

Accessoires

Figure	Designation	Article Number
	Coding Star CS1-3.5/3.81-RED	Order Data: 50000000023

Ratings

UseGroup	B	C	D	
Rated Voltage	300 V	-	300 V	160 V
Rated Current	10 A	-	10 A	10 A
Overvoltage Category				III
Test Voltage	1.60 kV	-	1.60 kV	2.5 kV
Pollution Degree				3