



Technical Data

Wire sizes		Insulating Material	
Solid min	-	Material	PA 6.6
Solid max	-	Flammability Class	UL 94 V-0
Stranded (flexible) min	-	Temperatures	
Stranded (flexible) max	-	Operating Temperature (without mech. load)	-40 °C - 105 °C
Stranded with Ferrule min	-	Store Temperature	-40 °C - 105 °C
Stranded with Ferrule max	-	Wave Soldering Process	
Dimensions		Soldering Temperature, recommended	260 °C
PCB Hole Diameter	1.5 mm	Peak Soldering Time, recommended	3-4 s
Materials		Reflow Process	
Contact Pin	Brass	Soldering Temperature, recommended	-
		Peak Soldering Time, recommended	-

Colours

 BLACK, RAL 9011

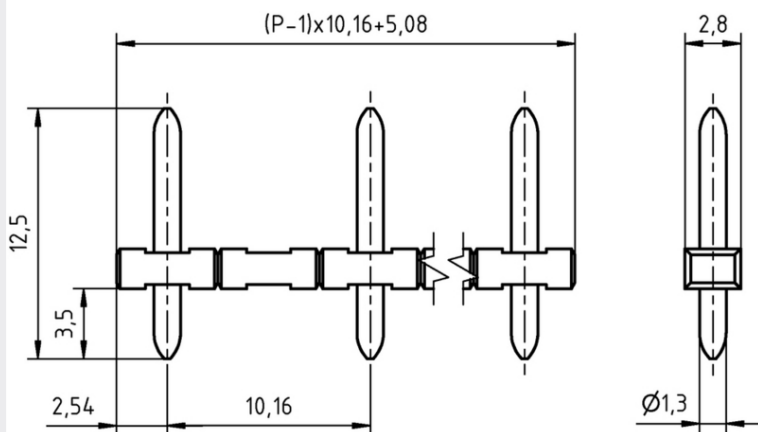
Colours according to RAL, there may be variations on colour due to production conditions. Special colours on request.

Counterparts (Spacing 10.16 mm)

Terminal Block

AKZ130



In combination of connectors with different admission data, the lower value is valid.



Order Data (Spacing 10.16 mm)

Poles	Width (mm)	Article Designation	Article Number	PU
2	15.24	STLZ130/2-10.16-V-BLACK	50130025071 F	200
3	25.40	STLZ130/3-10.16-V-BLACK	50130035071 E	100
4	35.56	STLZ130/4-10.16-V-BLACK	50130045071 E	100
5	45.72	STLZ130/5-10.16-V-BLACK	50130055071 E	100
6	55.88	STLZ130/6-10.16-V-BLACK	50130065071 D	50

Ratings

UseGroup	C  US			
	B	C	D	
Rated Voltage	300 V	150 V	300 V	630 V
Rated Current	10 A	10 A	10 A	7 A
Overvoltage Category				III
Test Voltage	1.60 kV	1.30 kV	1.60 kV	6.0 kV
Pollution Degree				3