

STL975/..G-10.0-V-GREEN



A Phoenix Mecano Brand



Technical Data

Wire sizes		Insulating Material	
Solid min	-	Material	PA 6.6
Solid max	-	Flammability Class	UL 94 V-0
Stranded (flexible) min	-	Temperatures	
Stranded (flexible) max	-	Operating Temperature (without mech. load)	-40 °C - 105 °C
Stranded with Ferrule min	-	Store Temperature	-40 °C - 105 °C
Stranded with Ferrule max	-	Wave Soldering Process	
Dimensions		Soldering Temperature, recommended	260 °C
PCB Hole Diameter	1.4 mm	Peak Soldering Time, recommended	3-4 s
Materials		Reflow Process	
Contact Pin	Copper Alloy	Soldering Temperature, recommended	-
		Peak Soldering Time, recommended	-

Colours

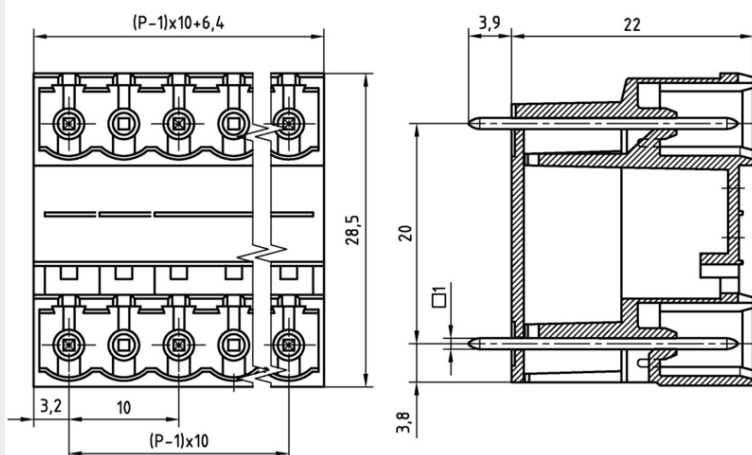
	GREEN, RAL 6018
	LIGHT GREEN, similar RAL 6018

Colours according to RAL, there may be variations on colour due to production conditions. Special colours on request.

Counterparts (Spacing 10.0 mm)

Terminal Block		
AK950	AK1100	AK1110

In combination of connectors with different admission data, the lower value is valid.



Order Data (Spacing 10.0 mm)

Poles	Width (mm)	Article Designation	Article Number	PU
2	16.40	STL975/2G-10.0-V-GREEN	50975025141 D	50
3	26.40	STL975/3G-10.0-V-GREEN	50975035141 D	50
4	36.40	STL975/4G-10.0-V-GREEN	50975045141 D	50
5	46.40	STL975/5G-10.0-V-GREEN	50975055141 D	50
6	56.40	STL975/6G-10.0-V-GREEN	50975065141 D	50
7	66.40	STL975/7G-10.0-V-GREEN	50975075141 D	50
8	76.40	STL975/8G-10.0-V-GREEN	50975085141 D	50
9	86.40	STL975/9G-10.0-V-GREEN	50975095141 D	50
10	96.40	STL975/10G-10.0-V-GREEN	50975105141 D	50
11	106.40	STL975/11G-10.0-V-GREEN	50975115141 D	50
12	116.40	STL975/12G-10.0-V-GREEN	50975125141 D	50

Accessoires

Figure	Designation	Article Number
	Coding Star CS2-5.0/5.08-RED	Order Data: 50000000024
	Separating Element SE-STL950-GREEN	Order Data: 50950000002

Ratings

UseGroup	cRU [®] US			VDE
	B	C	D	
Rated Voltage	300 V	150 V	300 V	630 V
Rated Current	15 A	15 A	-	12 A
Overvoltage Category				III
Test Voltage	1.60 kV	1.30 kV	1.60 kV	6.0 kV
Pollution Degree				3