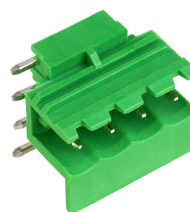


STL955/..-5.0-OL-GREEN



A Phoenix Mecano Brand



Technical Data

Wire sizes		Insulating Material	
Solid min	-	Material	PA 6.6
Solid max	-	Flammability Class	UL 94 V-0
Stranded (flexible) min	-	Temperatures	
Stranded (flexible) max	-	Operating Temperature (without mech. load)	-40 °C - 105 °C
Stranded with Ferrule min	-	Store Temperature	-40 °C - 105 °C
Stranded with Ferrule max	-	Wave Soldering Process	
Dimensions		Soldering Temperature, recommended	260 °C
PCB Hole Diameter	1.6 mm	Peak Soldering Time, recommended	3-4 s
Materials		Reflow Process	
Contact Pin	Brass	Soldering Temperature, recommended	-
		Peak Soldering Time, recommended	-

Colours

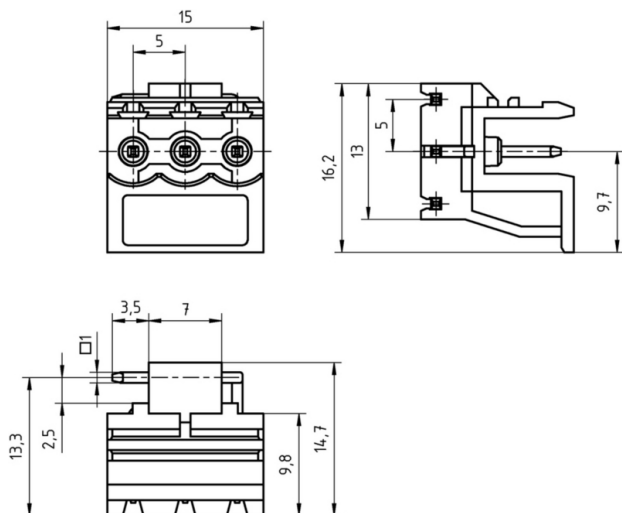
- GREEN, RAL 6018
- LIGHT GREEN, similar RAL 6018

Colours according to RAL, there may be variations on colour due to production conditions. Special colours on request.

Counterparts (Spacing 5.0 mm)

Terminal Block					
AK955	AK950	AK1100	AK1110	AK4951	AK3950


In combination of connectors with different admission data, the lower value is valid.





Order Data (Spacing 5.0 mm)

Poles	Width (mm)	Article Designation	Article Number	PU
2	10.00	STL955/2-5.0-OL-GREEN	50955025061 D	50
3	15.00	STL955/3-5.0-OL-GREEN	50955035061 D	50
4	20.00	STL955/4-5.0-OL-GREEN	50955045061 D	50

Accessoires

Figure	Designation	Article Number
	Coding Star CS3-5.0/5.08-RED	Order Data: 50000000025

Ratings

				
UseGroup	B	C	D	
Rated Voltage	300 V	-	300 V	250 V
Rated Current	12 A	-	10 A	9 A
Overvoltage Category				III
Test Voltage	1.60 kV	-	1.60 kV	4.0 kV
Pollution Degree				3