

# STL950/..F-5.0-V-GREEN-HC



A Phoenix Mecano Brand

## Technical Data

Wire sizes		Insulating Material	
Solid min	-	Material	PA 6.6
Solid max	-	Flammability Class	UL 94 V-0
Stranded (flexible) min	-	<b>Temperatures</b>	
Stranded (flexible) max	-	Operating Temperature (without mech. load)	-40 °C - 105 °C
Stranded with Ferrule min	-	Store Temperature	-40 °C - 105 °C
Stranded with Ferrule max	-	<b>Wave Soldering Process</b>	
<b>Dimensions</b>		Soldering Temperature, recommended	260 °C
PCB Hole Diameter	1.4 mm	Peak Soldering Time, recommended	3-4 s
<b>Materials</b>		<b>Reflow Process</b>	
Thread Insert, Flange	Brass	Soldering Temperature, recommended	-
Contact Pin	Copper Alloy	Peak Soldering Time, recommended	-

## Colours

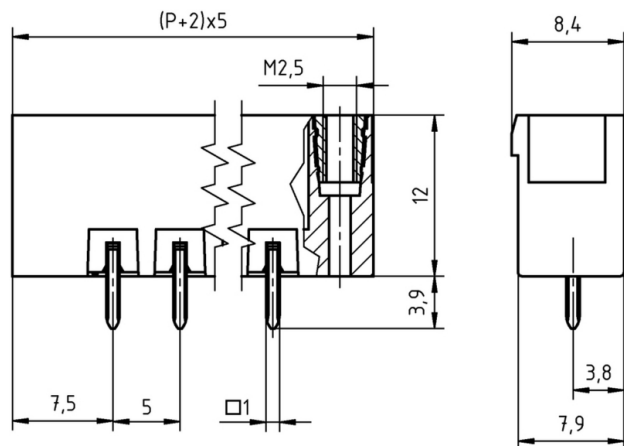
	GREEN, RAL 6018
	LIGHT GREEN, similar RAL 6018

Colours according to RAL, there may be variations on colour due to production conditions. Special colours on request.

## Counterparts (Spacing 5.0 mm)

Terminal Block  
AK950

In combination of connectors with different admission data, the lower value is valid.



## Order Data (Spacing 5.0 mm)

Poles	Width (mm)	Article Designation	Article Number	PU
2	20.00	STL950/2F-5.0-V-GREEN-HC	50950026109 E	100
3	25.00	STL950/3F-5.0-V-GREEN-HC	50950036109 E	100
4	30.00	STL950/4F-5.0-V-GREEN-HC	50950046109 D	50
5	35.00	STL950/5F-5.0-V-GREEN-HC	50950056109 D	50
6	40.00	STL950/6F-5.0-V-GREEN-HC	50950066109 D	50
7	45.00	STL950/7F-5.0-V-GREEN-HC	50950076109 D	50
8	50.00	STL950/8F-5.0-V-GREEN-HC	50950086109 D	50
9	55.00	STL950/9F-5.0-V-GREEN-HC	50950096109 D	50
10	60.00	STL950/10F-5.0-V-GREEN-HC	50950106109 D	50
11	65.00	STL950/11F-5.0-V-GREEN-HC	50950116109 D	50
12	70.00	STL950/12F-5.0-V-GREEN-HC	50950126109 D	50

## Accessoires

Figure	Designation	Article Number
	Coding Star CS2-5.0/5.08-RED	Order Data: 50000000024
	Separating Element SE-STL950-GREEN	Order Data: 50950000002

## Ratings

UseGroup	C  US			
	B	C	D	
Rated Voltage	300 V	150 V	300 V	250 V
Rated Current	16 A	16 A	10 A	16 A
Overvoltage Category				III
Test Voltage	1.60 kV	1.30 kV	1.60 kV	4.0 kV
Pollution Degree				3