

STL950/..-5.0-V-P2.6-BK-HC-HT



PTR

A Phoenix Mecano Brand



Technical Data

| Wire sizes | | Insulating Material | |
|---------------------------|--------------|--|-----------------|
| Solid min | - | Material | PPA |
| Solid max | - | Flammability Class | UL 94 V-0 |
| Stranded (flexible) min | | Temperatures | |
| Stranded (flexible) max | - | Operating Temperature (without mech. load) | -40 °C - 105 °C |
| Stranded with Ferrule min | - | Store Temperature | -40 °C - 105 °C |
| Stranded with Ferrule max | - | Wave Soldering Process | |
| Dimensions | | Soldering Temperature, recommended | 260 °C |
| PCB Hole Diameter | 1.4 mm | Peak Soldering Time, recommended | 3-4 s |
| Materials | | Reflow Process | |
| Contact Pin | Copper Alloy | Soldering Temperature, recommended | 217 - 245 °C |
| | | Peak Soldering Time, recommended | 60 s |

Colours

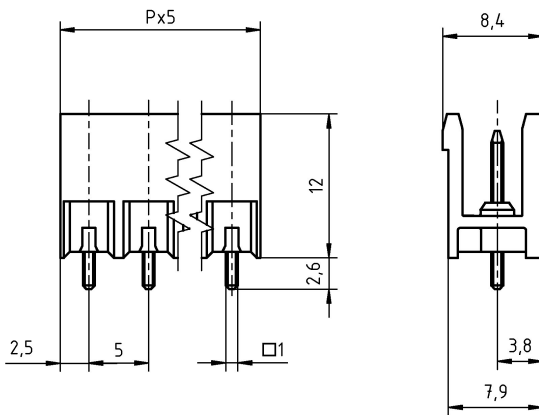
BLACK, RAL 9011

Colours according to RAL, there may be variations on colour due to production conditions.

Counterparts (Spacing 5.0 mm)

Terminal Block
AK950

In combination of connectors with different admission data, the lower value is valid.



Order Data (Spacing 5.0 mm)

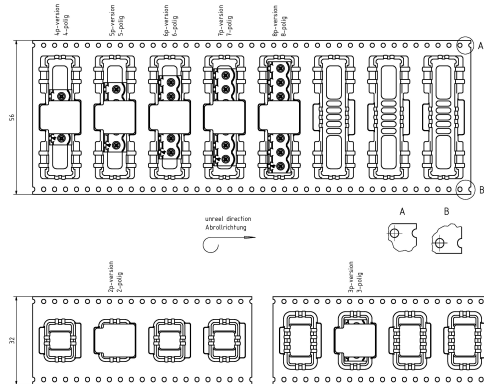
| Poles | Width (mm) | Article Designation | Article Number | PU |
|-------|------------|------------------------------|----------------|-----|
| 2 | 10.00 | STL950/2-5.0-V-P2.6-BK-HC-HT | 50950025389R | 140 |
| 3 | 15.00 | STL950/3-5.0-V-P2.6-BK-HC-HT | 50950035389R | 140 |
| 4 | 20.00 | STL950/4-5.0-V-P2.6-BK-HC-HT | 50950045389R | 140 |
| 5 | 25.00 | STL950/5-5.0-V-P2.6-BK-HC-HT | 50950055389R | 140 |
| 6 | 30.00 | STL950/6-5.0-V-P2.6-BK-HC-HT | 50950065389R | 140 |
| 7 | 35.00 | STL950/7-5.0-V-P2.6-BK-HC-HT | 50950075389R | 140 |
| 8 | 40.00 | STL950/8-5.0-V-P2.6-BK-HC-HT | 50950085389R | 140 |

Accessoires

| Figure | Designation | Article Number |
|--------|--|------------------------|
| | Coding Star CS2-5.0/5.08-LIGHT GREY-HT | Order Data: 5000000028 |

Tape on Reel

| Poles | Reel (RD/") | Width (R/mm) | Pitch (RP/mm) | Pieces (PCS) |
|-------|-------------|--------------|---------------|--------------|
| 2 | 13 | 32 | 20 | 140 |
| 3 | 13 | 32 | 20 | 140 |
| 4 | 13 | 56 | 20 | 140 |
| 5 | 13 | 56 | 20 | 140 |
| 6 | 13 | 56 | 20 | 140 |
| 7 | 13 | 56 | 20 | 140 |
| 8 | 13 | 56 | 20 | 140 |



Ratings



| UseGroup | B | C | D | |
|----------------------|---------|---------|---------|--------|
| Rated Voltage | 300 V | 150 V | 300 V | 250 V |
| Rated Current | 16 A | 16 A | 10 A | 16 A |
| Overvoltage Category | | | | III |
| Test Voltage | 1.60 kV | 1.30 kV | 1.60 kV | 4.0 kV |
| Pollution Degree | | | | 3 |