



**Technical Data**

Wire sizes		Insulating Material	
Solid min	-	Material	PPA
Solid max	-	Flammability Class	UL 94 V-0
Stranded (flexible) min	-	<b>Temperatures</b>	
Stranded (flexible) max	-	Operating Temperature (without mech. load)	-40 °C - 105 °C
Stranded with Ferrule min	-	Store Temperature	-40 °C - 105 °C
Stranded with Ferrule max	-	<b>Wave Soldering Process</b>	
<b>Dimensions</b>		Soldering Temperature, recommended	260 °C
PCB Hole Diameter	1.4 mm	Peak Soldering Time, recommended	3-4 s
<b>Materials</b>		<b>Reflow Process</b>	
Contact Pin	Copper Alloy	Soldering Temperature, recommended	217 - 245 °C
		Peak Soldering Time, recommended	60 s

**Colours**

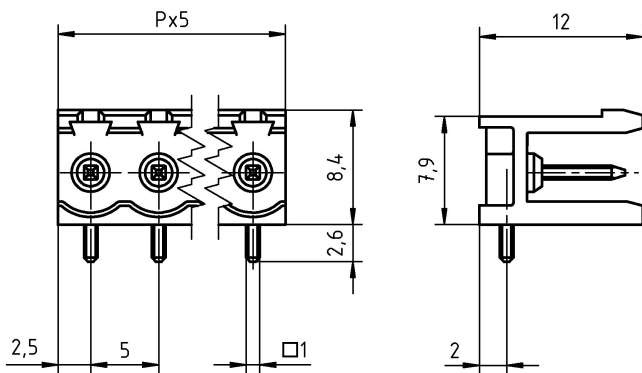
BLACK, RAL 9011

Colours according to RAL, there may be variations on colour due to production conditions.

**Counterparts (Spacing 5.0 mm)**

Terminal Block  
AK950

In combination of connectors with different admission data, the lower value is valid.



**Order Data (Spacing 5.0 mm)**

Poles	Width (mm)	Article Designation	Article Number	PU
2	10.00	STL950/2-5.0-H-P2.6-BK-HC-HT	50950025319 F	200
3	15.00	STL950/3-5.0-H-P2.6-BK-HC-HT	50950035319 F	200
4	20.00	STL950/4-5.0-H-P2.6-BK-HC-HT	50950045319 F	200
5	25.00	STL950/5-5.0-H-P2.6-BK-HC-HT	50950055319 E	100
6	30.00	STL950/6-5.0-H-P2.6-BK-HC-HT	50950065319 E	100
7	35.00	STL950/7-5.0-H-P2.6-BK-HC-HT	50950075319 E	100
8	40.00	STL950/8-5.0-H-P2.6-BK-HC-HT	50950085319 D	50
9	45.00	STL950/9-5.0-H-P2.6-BK-HC-HT	50950095319 D	50
10	50.00	STL950/10-5.0-H-P2.6-BK-HC-HT	50950105319 D	50
11	55.00	STL950/11-5.0-H-P2.6-BK-HC-HT	50950115319 D	50
12	60.00	STL950/12-5.0-H-P2.6-BK-HC-HT	50950125319 D	50

**Accessoires**

Figure	Designation	Article Number
	Coding Star CS2-5.0/5.08-LIGHT GREY-HT	Order Data: 50000000028

**Ratings**

UseGroup	C <sub>RU</sub> US			VDE
	B	C	D	
Rated Voltage	300 V	150 V	300 V	250 V
Rated Current	16 A	16 A	10 A	16 A
Overvoltage Category				III
Test Voltage	1.60 kV	1.30 kV	1.60 kV	4.0 kV
Pollution Degree				3