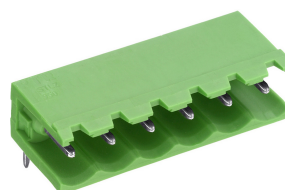


# STL950/..-5.0-H-GREEN



A Phoenix Mecano Brand

## Technical Data

Wire sizes		Insulating Material	
Solid min	-	Material	PA 6.6
Solid max	-	Flammability Class	UL 94 V-0
Stranded (flexible) min		<b>Temperatures</b>	
Stranded (flexible) max	-	Operating Temperature (without mech. load)	-40 °C - 105 °C
Stranded with Ferrule min	-	Store Temperature	-40 °C - 105 °C
Stranded with Ferrule max	-	<b>Wave Soldering Process</b>	
<b>Dimensions</b>		Soldering Temperature, recommended	260 °C
PCB Hole Diameter	1.4 mm	Peak Soldering Time, recommended	3-4 s
<b>Materials</b>		<b>Reflow Process</b>	
Contact Pin	Copper Alloy	Soldering Temperature, recommended	-
		Peak Soldering Time, recommended	-

## Colours

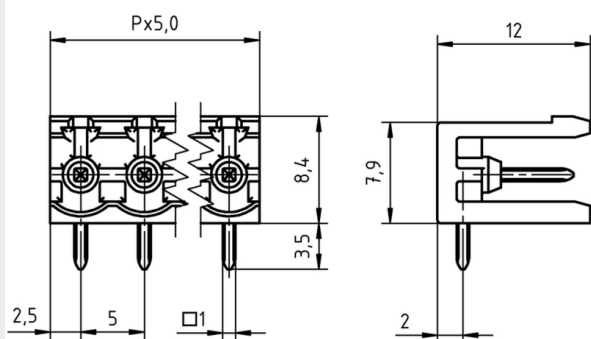
	GREEN, RAL 6018
	BLACK, RAL 9011
	BASALT GREY, RAL 7012
	PEBBLE GREY, RAL 7032
	LIGHT GREY, RAL 7035
	LIGHT GREEN, similar RAL 6018

Colours according to RAL, there may be variations on colour due to production conditions. Special colours on request.

## Counterparts (Spacing 5.0 mm)

Terminal Block						
AK950	AK955	AK1100	AK1110	AK1200	AK3950	AK4951

In combination of connectors with different admission data, the lower value is valid.



## Order Data (Spacing 5.0 mm)

Poles	Width (mm)	Article Designation	Article Number	PU
2	10.00	STL950/2-5.0-H-GREEN	50950025011 F	200
3	15.00	STL950/3-5.0-H-GREEN	50950035011 F	200
4	20.00	STL950/4-5.0-H-GREEN	50950045011 F	200
5	25.00	STL950/5-5.0-H-GREEN	50950055011 E	100
6	30.00	STL950/6-5.0-H-GREEN	50950065011 E	100
7	35.00	STL950/7-5.0-H-GREEN	50950075011 E	100
8	40.00	STL950/8-5.0-H-GREEN	50950085011 D	50
9	45.00	STL950/9-5.0-H-GREEN	50950095011 D	50
10	50.00	STL950/10-5.0-H-GREEN	50950105011 D	50
11	55.00	STL950/11-5.0-H-GREEN	50950115011 D	50
12	60.00	STL950/12-5.0-H-GREEN	50950125011 D	50
13	65.00	STL950/13-5.0-H-GREEN	50950135011 D	50
14	70.00	STL950/14-5.0-H-GREEN	50950145011 D	50
15	75.00	STL950/15-5.0-H-GREEN	50950155011 D	50
16	80.00	STL950/16-5.0-H-GREEN	50950165011 D	50
17	85.00	STL950/17-5.0-H-GREEN	50950175011 D	50
18	90.00	STL950/18-5.0-H-GREEN	50950185011 D	50
19	95.00	STL950/19-5.0-H-GREEN	50950195011 D	50
20	100.00	STL950/20-5.0-H-GREEN	50950205011 D	50
21	105.00	STL950/21-5.0-H-GREEN	50950215011 D	50
22	110.00	STL950/22-5.0-H-GREEN	50950225011 D	50
23	115.00	STL950/23-5.0-H-GREEN	50950235011 D	50
24	120.00	STL950/24-5.0-H-GREEN	50950245011 D	50

## Accessoires

Figure	Designation	Article Number
	Coding Star CS2-5.0/5.08-RED	Order Data: 50000000024
	Separating Element SE-STL950-GREEN	Order Data: 50950000002

## Ratings

UseGroup	cRU <sup>®</sup> US			VDE
	B	C	D	
Rated Voltage	300 V	150 V	300 V	250 V
Rated Current	15 A	15 A	10 A	12 A
Overvoltage Category				III
Test Voltage	1.60 kV	1.30 kV	1.60 kV	4.0 kV
Pollution Degree				3