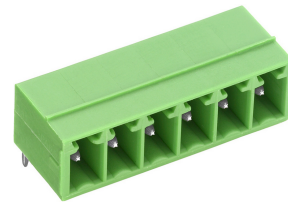


# STL1550/..G-3.5-H-GREEN



A Phoenix Mecano Brand

## Technical Data

Wire sizes		Insulating Material	
Solid min	-	Material	PA 6.6
Solid max	-	Flammability Class	UL 94 V-0
Stranded (flexible) min	-	<b>Temperatures</b>	
Stranded (flexible) max	-	Operating Temperature (without mech. load)	-40 °C - 105 °C
Stranded with Ferrule min	-	Store Temperature	-40 °C - 105 °C
Stranded with Ferrule max	-	<b>Wave Soldering Process</b>	
<b>Dimensions</b>		Soldering Temperature, recommended	260 °C
PCB Hole Diameter	1.2 mm	Peak Soldering Time, recommended	3-4 s
<b>Materials</b>		<b>Reflow Process</b>	
Contact Pin	Copper Alloy	Soldering Temperature, recommended	-
		Peak Soldering Time, recommended	-

## Colours

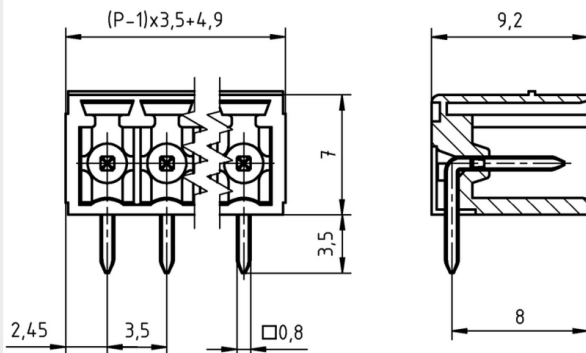
	GREEN, RAL 6018
	BLACK, RAL 9011
	BASALT GREY, RAL 7012
	LIGHT GREEN, similar RAL 6018

Colours according to RAL, there may be variations on colour due to production conditions. Special colours on request.

## Counterparts (Spacing 3.5 mm)

Terminal Block					
AK1550	AK1700	AK1710	AK4541	AK4551	AK4561

In combination of connectors with different admission data, the lower value is valid.



## Order Data (Spacing 3.5 mm)

Poles	Width (mm)	Article Designation	Article Number	PU
2	8.40	STL1550/2G-3.5-H-GREEN	51550025001 F	200
3	11.90	STL1550/3G-3.5-H-GREEN	51550035001 F	200
4	15.40	STL1550/4G-3.5-H-GREEN	51550045001 F	200
5	18.90	STL1550/5G-3.5-H-GREEN	51550055001 F	200
6	22.40	STL1550/6G-3.5-H-GREEN	51550065001 E	100
7	25.90	STL1550/7G-3.5-H-GREEN	51550075001 E	100
8	29.40	STL1550/8G-3.5-H-GREEN	51550085001 D	50
9	32.90	STL1550/9G-3.5-H-GREEN	51550095001 D	50
10	36.40	STL1550/10G-3.5-H-GREEN	51550105001 D	50
11	39.90	STL1550/11G-3.5-H-GREEN	51550115001 D	50
12	43.40	STL1550/12G-3.5-H-GREEN	51550125001 D	50
13	46.90	STL1550/13G-3.5-H-GREEN	51550135001 D	50
14	50.40	STL1550/14G-3.5-H-GREEN	51550145001 D	50
15	53.90	STL1550/15G-3.5-H-GREEN	51550155001 D	50
16	57.40	STL1550/16G-3.5-H-GREEN	51550165001 D	50
17	60.90	STL1550/17G-3.5-H-GREEN	51550175001 D	50
18	64.40	STL1550/18G-3.5-H-GREEN	51550185001 D	50
19	67.90	STL1550/19G-3.5-H-GREEN	51550195001 D	50
20	71.40	STL1550/20G-3.5-H-GREEN	51550205001 D	50

## Accessoires

Figure	Designation	Article Number
	Coding Star CS1-3.5/3.81-RED	Order Data: 50000000023
	Separating Element SE-STL1550-GREEN	Order Data: 51550000002

## Ratings

UseGroup	C  US			
	B	C	D	
Rated Voltage	300 V	-	300 V	160 V
Rated Current	10 A	-	10 A	10 A
Overvoltage Category				III
Test Voltage	1.60 kV	-	1.60 kV	2.5 kV
Pollution Degree				3