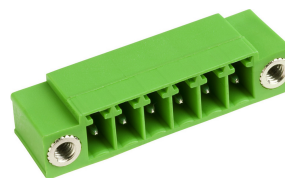


# STL1550/..F-7.0-H-GREEN



A Phoenix Mecano Brand

## Technical Data

Wire sizes		Insulating Material	
Solid min	-	Material	PA 6.6
Solid max	-	Flammability Class	UL 94 V-0
Stranded (flexible) min	-	<b>Temperatures</b>	
Stranded (flexible) max	-	Operating Temperature (without mech. load)	-40 °C - 105 °C
Stranded with Ferrule min	-	Store Temperature	-40 °C - 105 °C
Stranded with Ferrule max	-	<b>Wave Soldering Process</b>	
<b>Dimensions</b>		Soldering Temperature, recommended	260 °C
PCB Hole Diameter	1.2 mm	Peak Soldering Time, recommended	3-4 s
<b>Materials</b>		<b>Reflow Process</b>	
Thread Insert, Flange	Brass	Soldering Temperature, recommended	-
Contact Pin	Copper Alloy	Peak Soldering Time, recommended	-

## Colours

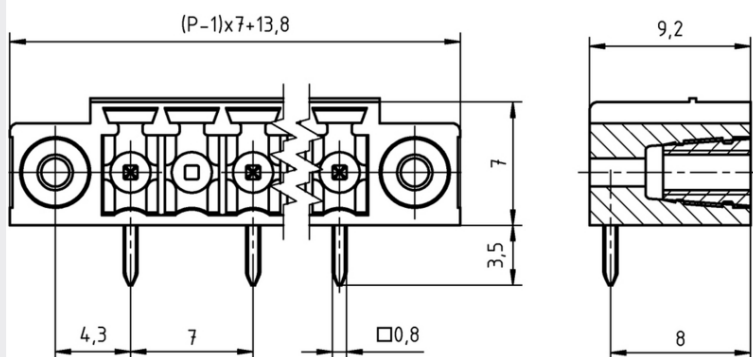
	GREEN, RAL 6018
	BASALT GREY, RAL 7012
	LIGHT GREEN, similar RAL 6018

Colours according to RAL, there may be variations on colour due to production conditions. Special colours on request.

## Counterparts (Spacing 7.0 mm)

Terminal Block  
AK1550

In combination of connectors with different admission data, the lower value is valid.



## Order Data (Spacing 7.0 mm)

Poles	Width (mm)	Article Designation	Article Number	PU
2	20.80	STL1550/2F-7.0-H-GREEN	51550026041 E	100
3	27.80	STL1550/3F-7.0-H-GREEN	51550036041 D	50
4	34.80	STL1550/4F-7.0-H-GREEN	51550046041 D	50
5	41.80	STL1550/5F-7.0-H-GREEN	51550056041 D	50
6	48.80	STL1550/6F-7.0-H-GREEN	51550066041 D	50
7	55.80	STL1550/7F-7.0-H-GREEN	51550076041 D	50
8	62.80	STL1550/8F-7.0-H-GREEN	51550086041 D	50
9	69.80	STL1550/9F-7.0-H-GREEN	51550096041 D	50
10	76.80	STL1550/10F-7.0-H-GREEN	51550106041 D	50

## Accessoires

Figure	Designation	Article Number
	Coding Star CS1-3.5/3.81-RED	Order Data: 50000000023

## Ratings

	C <sub>RU</sub> US			VDE
UseGroup	B	C	D	
Rated Voltage	300 V	-	300 V	500 V
Rated Current	8 A	-	-	8 A
Overvoltage Category				III
Test Voltage	1.60 kV	-	1.60 kV	6.0 kV
Pollution Degree				3