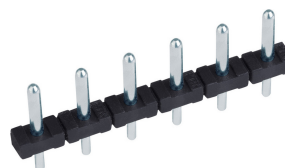


STL132/..-5.0-V-P3.3-BK-HT



PTR

A Phoenix Mecano Brand

Technical Data

Wire sizes		Insulating Material	
Solid min	-	Material	LCP
Solid max	-	Flammability Class	UL 94 V-0
Stranded (flexible) min	-	Temperatures	
Stranded (flexible) max	-	Operating Temperature (without mech. load)	-40 °C - 105 °C
Stranded with Ferrule min	-	Store Temperature	-40 °C - 105 °C
Stranded with Ferrule max	-	Wave Soldering Process	
Dimensions		Soldering Temperature, recommended	260 °C
PCB Hole Diameter	1.2 mm	Peak Soldering Time, recommended	3-4 s
Materials		Reflow Process	
Contact Pin	Brass	Soldering Temperature, recommended	217 - 245 °C
		Peak Soldering Time, recommended	60 s

Colours

BLACK, RAL 9011

Colours according to RAL, there may be variations on colour due to production conditions.

Counterparts (Spacing 5.0 mm)

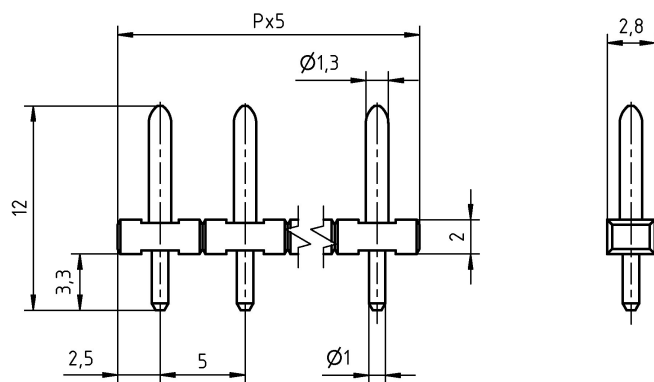
Terminal Block

AK130

In combination of connectors with different admission data, the lower value is valid.

Order Data (Spacing 5.0 mm)

Poles	Width (mm)	Article Designation	Article Number	PU
2	10.00	STL132/2-5.0-V-P3.3-BK-HT	50132025031 H	500
3	15.00	STL132/3-5.0-V-P3.3-BK-HT	50132035031 H	500
4	20.00	STL132/4-5.0-V-P3.3-BK-HT	50132045031 H	500
5	25.00	STL132/5-5.0-V-P3.3-BK-HT	50132055031 G	250
6	30.00	STL132/6-5.0-V-P3.3-BK-HT	50132065031 G	250
7	35.00	STL132/7-5.0-V-P3.3-BK-HT	50132075031 G	250
8	40.00	STL132/8-5.0-V-P3.3-BK-HT	50132085031 E	100
9	45.00	STL132/9-5.0-V-P3.3-BK-HT	50132095031 E	100
10	50.00	STL132/10-5.0-V-P3.3-BK-HT	50132105031 E	100
11	55.00	STL132/11-5.0-V-P3.3-BK-HT	50132115031 E	100
12	60.00	STL132/12-5.0-V-P3.3-BK-HT	50132125031 E	100
13	65.00	STL132/13-5.0-V-P3.3-BK-HT	50132135031 E	100
14	70.00	STL132/14-5.0-V-P3.3-BK-HT	50132145031 E	100
15	75.00	STL132/15-5.0-V-P3.3-BK-HT	50132155031 E	100
16	80.00	STL132/16-5.0-V-P3.3-BK-HT	50132165031 E	100
17	85.00	STL132/17-5.0-V-P3.3-BK-HT	50132175031 D	50
18	90.00	STL132/18-5.0-V-P3.3-BK-HT	50132185031 D	50
19	95.00	STL132/19-5.0-V-P3.3-BK-HT	50132195031 D	50
20	100.00	STL132/20-5.0-V-P3.3-BK-HT	50132205031 D	50
21	105.00	STL132/21-5.0-V-P3.3-BK-HT	50132215031 D	50
22	110.00	STL132/22-5.0-V-P3.3-BK-HT	50132225031 D	50
23	115.00	STL132/23-5.0-V-P3.3-BK-HT	50132235031 D	50
24	120.00	STL132/24-5.0-V-P3.3-BK-HT	50132245031 D	50



Ratings



UseGroup	B	C	D	
Rated Voltage	300 V	-	300 V	250 V
Rated Current	10 A	-	10 A	7 A
Overvoltage Category				III
Test Voltage	1.60 kV	-	1.60 kV	4.0 kV
Pollution Degree				2