

Series 3010/2W

- Test Probe with switching function for cable harness test and presence verification
- Plug-in and threaded type available
- Switching travel 1.7 mm (4.0 mm on request)
- High soldering temperature up to 300°C

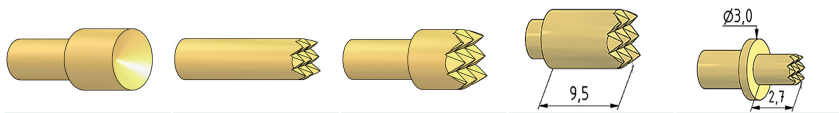
Mechanical Data	
Center	4.00 mm/160 mil
Temperature Range	-30 °C - +120 °C
Full Travel	5.00 mm
Working Travel	4.00 mm
Switching Travel	1.70 mm
Pre-loaded Spring Force	0.12/ 0.25/ 0.30/ 0.40/ 0.60/ 1.80/ 1.40/ 1.70/ 2.00/ 2.00/ 5.00/ 4.00 N
Spring Force at Working Travel	1.25/ 1.75/ 2.30/ 2.80/ 4.00/ 7.00/ 7.50/ 9.00/ 9.50/ 10.50/ 13.00/ 13.50 N
Spring Force at Switching Travel	0.20/ 0.45/ 0.75/ 1.00/ 1.60/ 3.60/ 3.60/ 4.40/ 4.80/ 5.20/ 8.00/ 7.60 N

Electrical Data	
Receptacle-Plunger	
Max. Current Rating	5.0 A
Typical Continuity Resistance	<= 15 mOhm
Pin-Plunger	
Max. Current Rating	1.0 A
Typical Continuity Resistance	<= 50 mOhm
Typical Insulating Voltage	1000 V

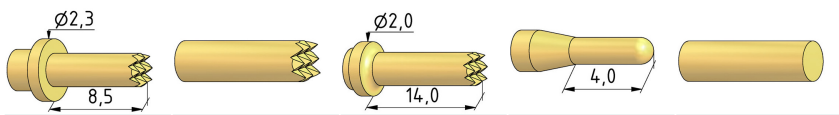
Materials	
Barrel	Brass, gold-plated
Spring	Spring Steel, gold-plated
Plunger	Steel
Receptacle	Brass, gold-plated

Recommended Diameter of Drill	
HP 2361.1 (Trolitax)	3.00 mm
HGW 2372	3.01 mm

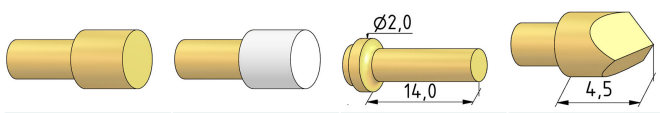
Tip style - Diameter - Plating



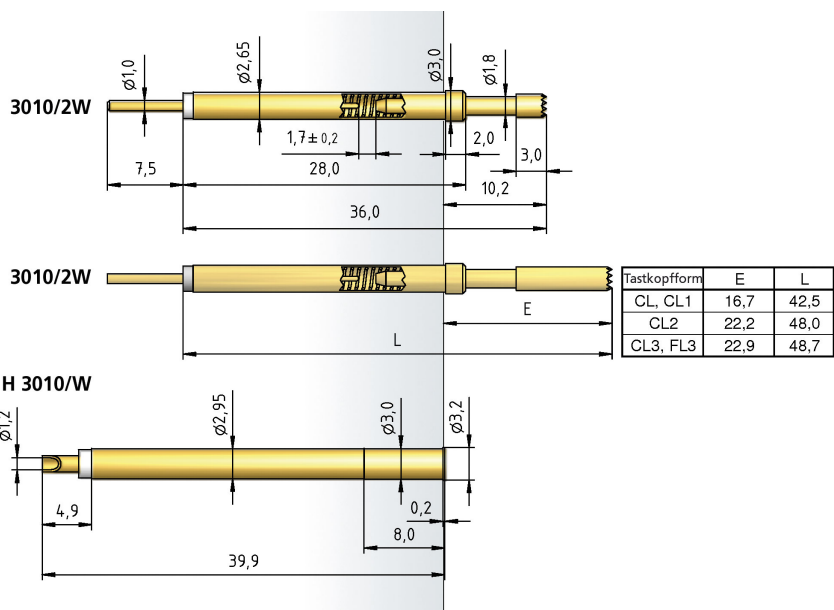
A	C	C	CL	C1
2.30 Au	1.80 Au	2.30 Au 3.00 Au 4.00 Au	2.30 Au	1.00 Au



CL1	CL2	CL3	D6	F
1.00 Au	1.80 Au	1.00 Au	1.00 Au	1.80 Au



F	F1	FL3	H2
2.00 Au 2.30 Au	2.30 HTK 3.00 HTK 4.00 HTK 5.00 HTK	1.00 Au	2.60 Au



How to Order													
3010/	2	W	-	A	-	2.3	N	-	Au	-	2.3/	1.0x	7.5
	1	2	3	4	5	6	7	8	9				
1. Series 2. Collar Height 3. Interchangeable without Soldering 4. Tip Style 5. Spring Force 6. Tip Plating 7. Tip Diameter 8. Connector Pin Diameter 9. Connector Pin Length													

Series 3010/2W

- Test Probe with switching function for cable harness test and presence verification
- Plug-in and threaded type available
- High soldering temperature up to 300°C

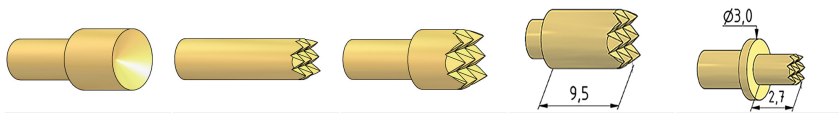
Mechanical Data	
Center	4.00 mm/160 mil
Temperature Range	-30 °C - +120 °C
Full Travel	5.00 mm
Working Travel	4.00 mm
Switching Travel	4.00 mm
Pre-loaded Spring Force	0.12/ 0.25/ 0.30/ 0.40/ 0.60/ 1.80/ 1.40/ 1.70/ 2.00/ 2.00/ 5.00/ 4.00 N
Spring Force at Working Travel	0.25/ 0.75/ 1.30/ 1.80/ 3.00/ 6.00/ 6.50/ 8.00/ 8.50/ 9.50/ 12.00/ 12.50 N
Spring Force at Switching Travel	0.25/ 0.75/ 1.30/ 1.80/ 3.00/ 6.00/ 6.50/ 8.00/ 8.50/ 9.50/ 12.00/ 12.50 N

Electrical Data	
Receptacle-Plunger	
Max. Current Rating	5.0 A
Typical Continuity Resistance	<= 15 mOhm
Pin-Plunger	
Max. Current Rating	1.0 A
Typical Continuity Resistance	<= 50 mOhm
Typical Insulating Voltage	1000 V

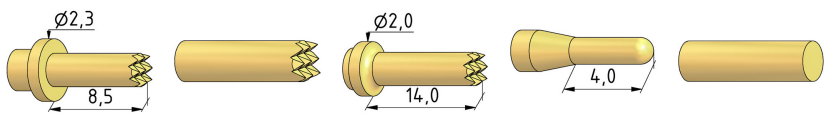
Materials	
Barrel	Brass, gold-plated
Spring	Spring Steel, gold-plated
Plunger	Steel
Receptacle	Brass, gold-plated

Recommended Diameter of Drill	
HP 2361.1 (Trolitax)	3.00 mm
HGW 2372	3.01 mm

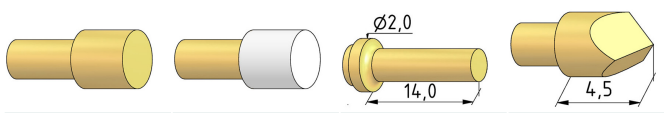
Tip style - Diameter - Plating



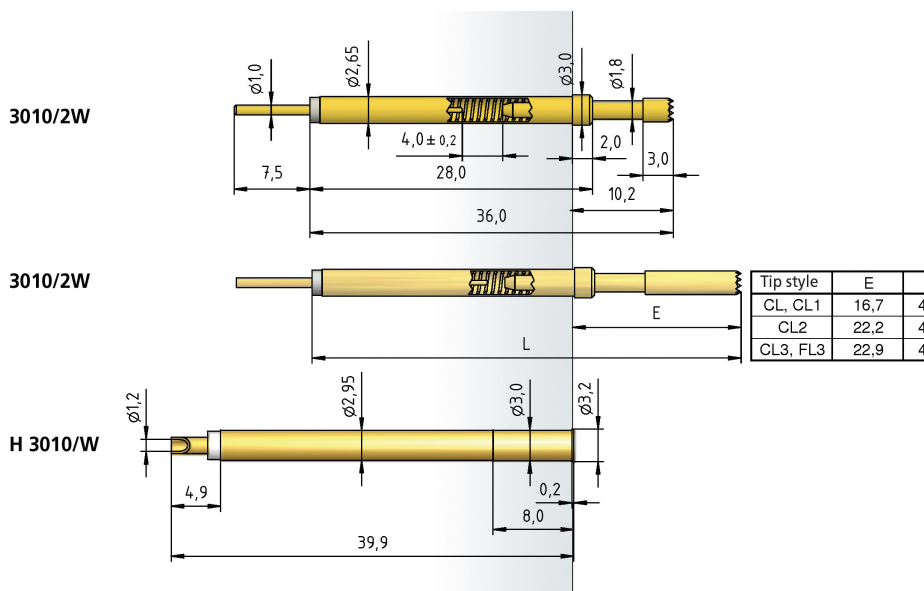
A	C	C	CL	C1
2.30 Au	1.80 Au	2.30 Au 3.00 Au 4.00 Au	2.30 Au	1.00 Au



CL1	CL2	CL3	D6	F
1.00 Au	1.80 Au	1.00 Au	1.00 Au	1.80 Au



F	F1	FL3	H2
2.00 Au 2.30 Au	2.30 HTK 3.00 HTK 4.00 HTK 5.00 HTK	1.00 Au	2.60 Au



How to Order								
3010/	2	W	-	A	-	2.3	N	-
	Au	-	2.3/	1.0x	7.5			
1	2	3	4	5	6	7	8	9
1. Series 2. Collar Height 3. Interchangeable without Soldering 4. Tip Style 5. Spring Force 6. Tip Plating 7. Tip Diameter 8. Connector Pin Diameter 9. Connector Pin Length								