

# Series 7860 • 7860/G

- For high frequency measurements
- Compact design
- Also screwable type
- Inner conductor and outer tip are independently of each other and interchangeable

## Mechanical Data - Inner Conductor

Full Travel	3.70 mm
Working Travel	2.00 mm
Pre-loaded Spring Force	0.65/ 0.95 N
Spring Force at Working Travel	1.30/ 2.00 N

## Mechanical Data - Outer Conductor

Full Travel	5.00 mm
Working Travel	4.00 mm
Pre-Loaded Spring Force	1.50/3.00/4.00 N
Spring Force at Working Travel	4.00/6.00/8.00 N

## Total Spring Force

Total Spring Force by Working Travel	5.30/ 6.00/ 7.30/ 8.00/ 9.30/ 10.00 N
--------------------------------------	--

## Electrical Data - Inner Conductor

Impedance	50 Ohm
Frequency Range	up to 6 GHz

## Materials

Barrel	Brass, gold-plated
Spring	Steel, gold-plated
Plunger	CuBe, gold-plated

## Available Screw Tools

Article Designation	max. Tip Diameter
WFS 7860/G-8.0	8.0

## Cable Data

Type	Multiflex 86
Length	750 mm
Connection Test Probe	MCX
Connection Testing Technology	SMA

## How to Order - Inner Conductor

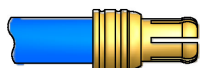
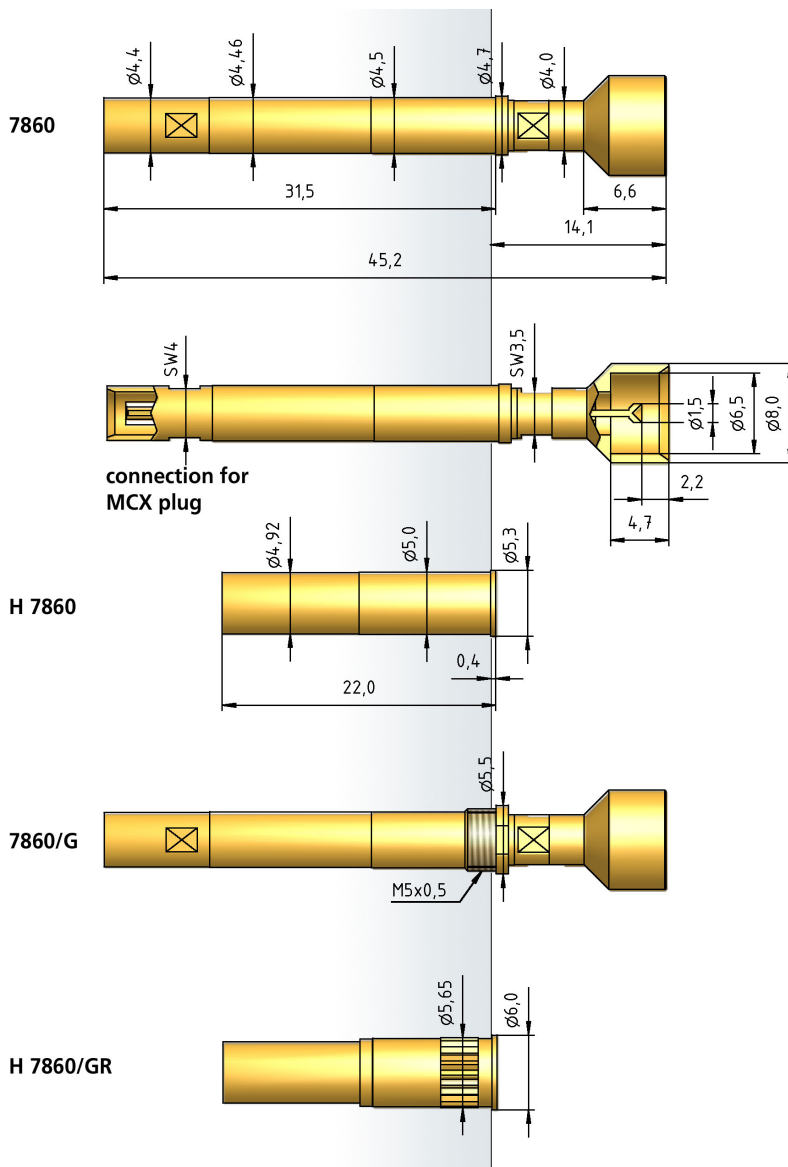
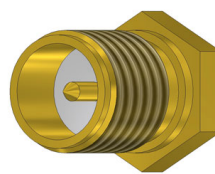
7860 - A - 1.3 N - Au - 1.5 C  
 1 2 3 4 5 6

1. Series 2. Tip Style 3. Spring Force  
 4. Tip Plating 5. Tip Diameter 6. Tip Material (only for CuBe)

## How to Order - Complete Test Probe

7860/ G - Z4 A - 5.3 N - Au 8.0/ - 1.5 C  
 1 2 3 4 5 6 7 8 9

1. Series 2. Variant Threaded Design 3. Outer Conductor Tip  
 4. Inner Conductor Tip 5. Total Spring Force  
 6. Tip Plating 7. Inner Tip Diameter 8. Outer Tip Diameter  
 9. Tip Material (only for CuBe)



KK86MCX750SMA

