

Series 4004

- Contacting of individual test points
- Contacting without adapter possible
- For use in function test

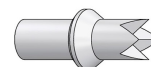
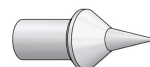
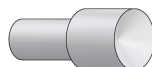
Mechanical Data	
Center	4.00 mm/160 mil
Temperature Range	-30 °C - +120 °C
Full Travel	10.00 mm
Working Travel	6.00 mm
Spring Force at Working Travel	1.50 N
Operating Pressure	6 bar
Operating Medium	Compressed Air (filtered, oil-free)

Electrical Data	
Max. Current Rating	3.0 A
Typical Continuity Resistance	<= 30 mOhm

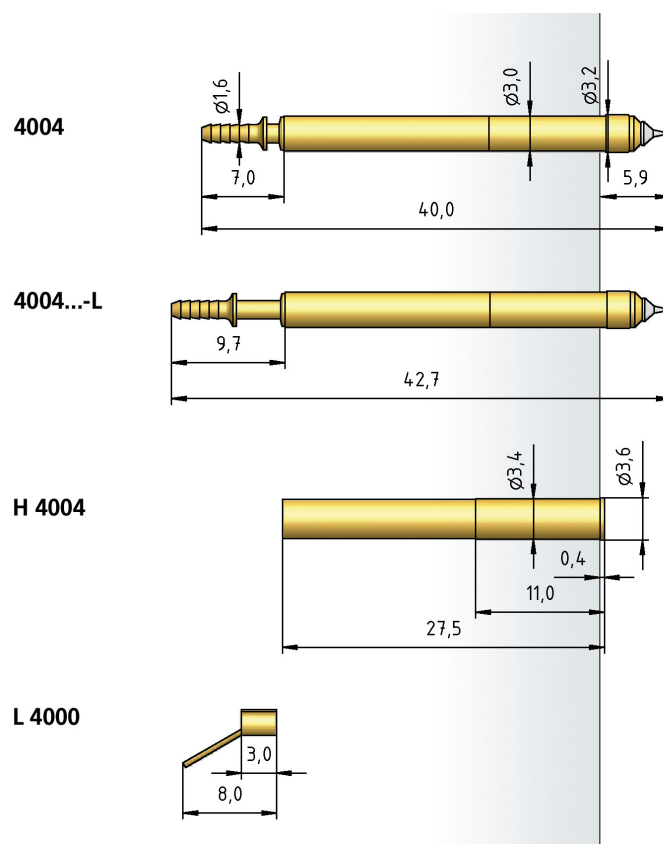
Materials	
Barrel	Brass, gold-plated
Spring	Spring Steel, gold-plated
Plunger	Steel
Receptacle	Brass, gold-plated

Recommended Diameter of Drill	
HP 2361.1 (Trolitax)	3.40 mm
HGW 2372	3.41 mm

Tip style - Diameter - Plating



A	BST1	G
3.00 Rh	2.00 Rh	1.30 Rh



How to Order

4004 - BST1 - 1.5 N - Rh - 2.0 - L

1 2 3 4 5 6

1. Series 2. Tip Style 3. Spring Force
4. Tip Plating 5. Tip Diameter 6. For Connection of L 4000