

# Series 3030/GW3

- Test Probe with switching function for cable harness test and presence verification
- Threaded type
- Easy-replacement system (replacement without soldering)
- Receptacle diameter only 2.00 mm

Mechanical Data	
Center	2.54 mm/100 mil
Temperature Range	-30 °C - +120 °C
Full Travel	6.30 mm
Working Travel	5.00 mm
Switching Travel	4.00 mm
Pre-loaded Spring Force	0.30 N
Spring Force at Working Travel	2.00 N
Spring Force at Switching Travel	1.00 N

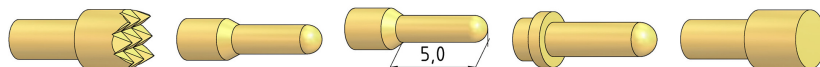
Electrical Data	
Max. Current Rating	1.0 A
Typical Continuity Resistance	<= 50 mOhm
Typical Insulating Voltage	1000 V

Materials	
Barrel	Brass, gold-plated
Spring	Spring Steel, gold-plated
Plunger	Steel
Receptacle	Brass, gold-plated

Recommended Diameter of Drill	
HP 2361.1 (Trolitax)	1.65 mm
with pressed-in Ring	1.75 mm
HGW 2372	1.67 mm
with pressed-in Ring	1.67 mm

Available Screw Tools	
Article Designation	max. Tip Diameter
WFS 1015/G-2.54-1.5	1.5
WFS 1015/G-2.54-1.8	1.8

## Tip style - Diameter - Plating

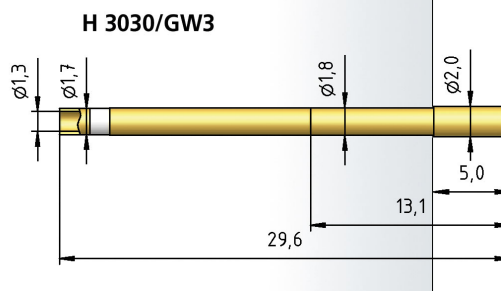
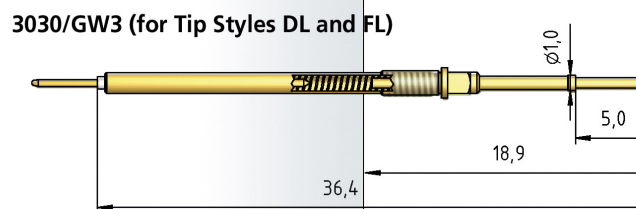
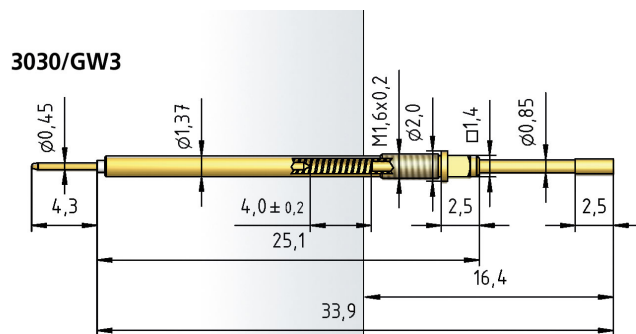


C	D	D1	DL	F
1.00 Au 1.30 Au	0.65 Au	0.61 Au	0.65 Au	1.00 Au



FL

0.70 Au



## How to Order

**3030/ G W 3 - F - 2.0 N - Au - 1.0**

**1 2 3 4 5 6 7 8**

1. Series
2. Threaded Design
3. Interchangeable without Soldering
4. Adjustment Area of the Extension Height
5. Tip Style
6. Spring Force
7. Tip Plating
8. Tip Diameter